



# **G-Cloud Quick Installation Manual**

- Thank you for choosing Air Conditioners, please read this owner's manual carefully before operation and retain it for future reference. If you have lost the Owner's Manual, please contact the local agent or visit [www.cooperandhunter.com](http://www.cooperandhunter.com).
- C&H reserves the right to interpret this manual which will be subject to any change due to product improvement without further notice.
- Cooper & Hunter, Inc. reserves the final right to interpret this manual.

## Preface

For correct installation and operation, please read all instructions carefully.

### **WARNING**

1. Please make sure the wiring method for power cord and communication wire is correct. Otherwise, the controller can't operate normally or even the controller will be damaged.
2. This product is related to heavy current. Prohibit knocking, throwing or disassembling the G-Cloud to avoid accident.
3. Do not operate this unit near to the equipment or the device which will transmit radio frequency. Because the radio frequency may damage the product.
4. Do not operate this unit at the place where will be affected by electromagnetism easily. Otherwise, the unit can't operate normally.

# User Notice

1. Once user has operated this product, it indicates that he has accepted this statement.
2. For operating this product correctly, please read this instruction manual carefully before operation and keep it well for future reference.
3. Pictures listed in this specification are just for explanatory illustration, final effect shall be subject to practical products.
4. Please ensure to use this product under friendly circumstance. Any products control failure or all other damages caused by hacker attack, governmental regulations and any other internet and communication wiring reasons or force majeure events, we shall not undertake any legal responsibilities.
5. Users acknowledged the efforts that we made in saving user data and providing protection to avoid being visited and disclosed without authorization.
6. Graphics in the instruction manual are for reference only.

# Contents

<b>1 SKETCH MAP.....</b>	<b>1</b>
<b>2 ACCESSORIES LIST .....</b>	<b>2</b>
<b>3 OPENING METHOD.....</b>	<b>3</b>
<b>4 INSTALLATION .....</b>	<b>4</b>
<b>5 APP DOWNLOAD .....</b>	<b>9</b>

# 1 Sketch Map

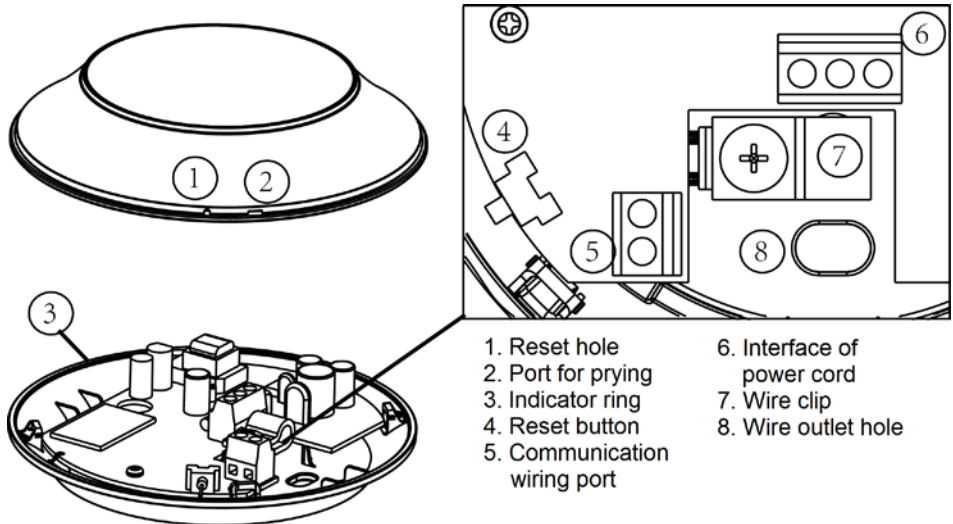



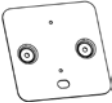






Fig.1

G-Cloud, operated with smart terminal, C&H Smart App and wireless router, can achieve long-distance monitoring, schedule management, scene management, device linkage and other functions to C&H air conditioners.

## 2 Accessories List

Name	Figure	Quantity	Unit	Function
Wire clip		1	Piece	Fix power cord
Tapping screw		1	Piece	Fixing wire clip
Bolt sub-assy MAx10		2	Set	Fixing the controller to the installation plate
Installation plate		1	Piece	Connecting controller with Wiring box
Cross-recessed pan head screw		2	Piece	Fix the installation plate to the Wiring box /fix the controller to the ceiling(aluminum)
Nut with washer		2	Piece	Fix the cross-recessed pan head screw on the ceiling(aluminum)
Plastic expansion tube		2	Piece	Fix ceiling(plaster) screw
Tapping screw		2	Piece	Fixing the controller to the ceiling(plaster/wood)

### 3 Opening Method

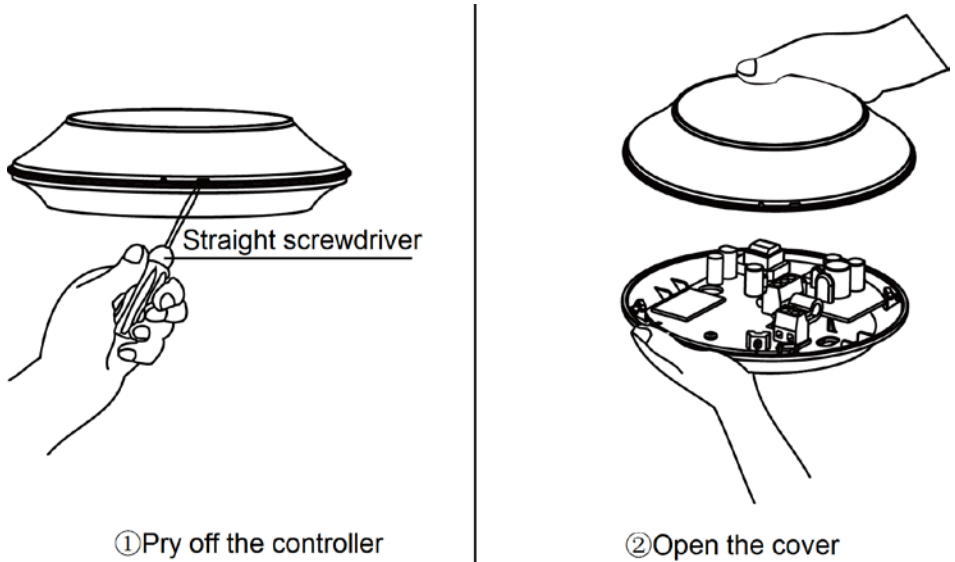


Fig.2

## 4 Installation

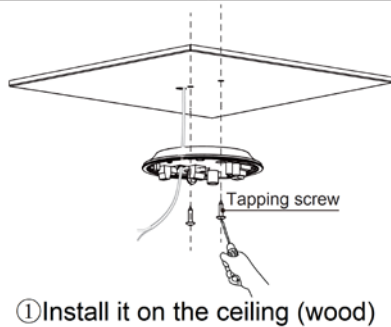
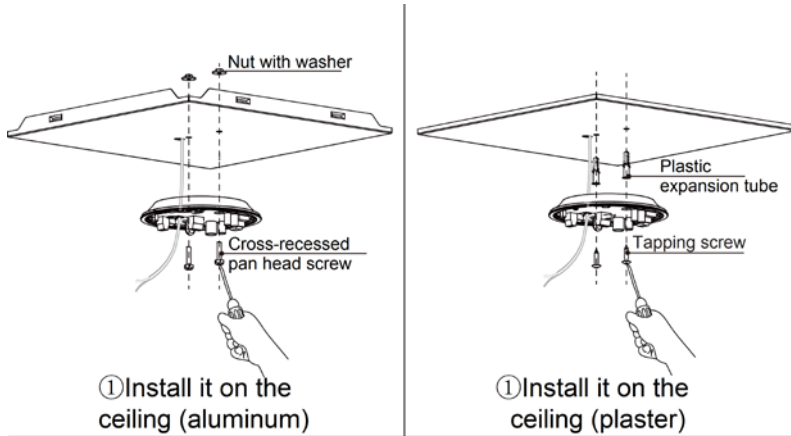
**Note:**

- ① The controller can be connectd with any indoor unit for installation;
- ② Please install it in the indoor site with the strongest signal.

G-Cloud has two installation ways:

- (1) Install it on the ceiling (please select installation way according to the material of ceiling, e.g. plaster, aluminum, wood).





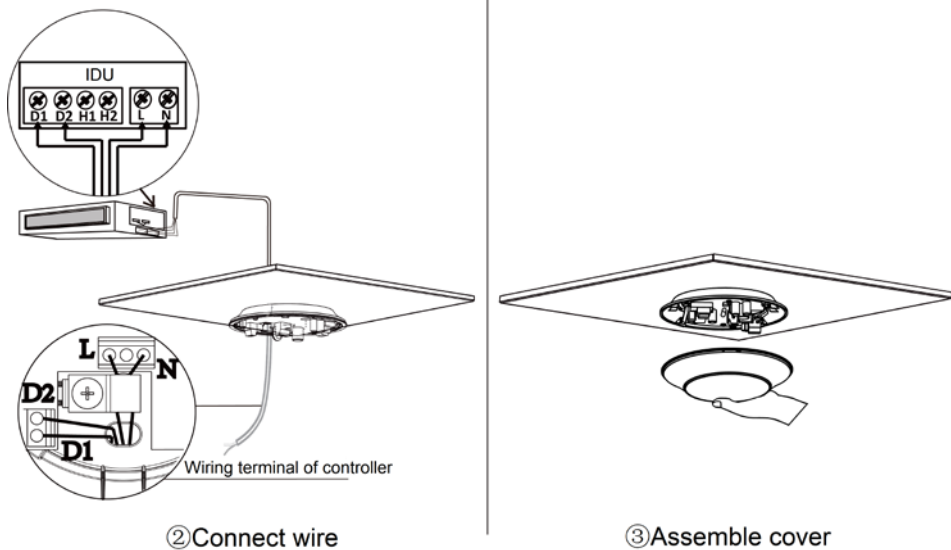


Fig.3

1) Notices for connecting wire

To avoid losing of controller power cord, the controller power cord can be twisted with IDU power cord before connecting with the wiring terminal.

Prohibit connecting the controller power cord and IDU power cord separately to the two sides of wiring terminal.

Suggested size of controller power cord:  $0.5\text{mm}^2$ -- $1\text{mm}^2$ .

D1 and D2 are the interfaces of communication cable (nonpolar) and L and N are the interfaces of AC 100V~240V/50Hz/60Hz~1Ph power cord.

2) Notices for assembling cover

When assembling the cover, please fix the reset hole on the cover at the reset button on the controller, and then close the cover with bottom case directly.

(2) Install it to the Wiring box.

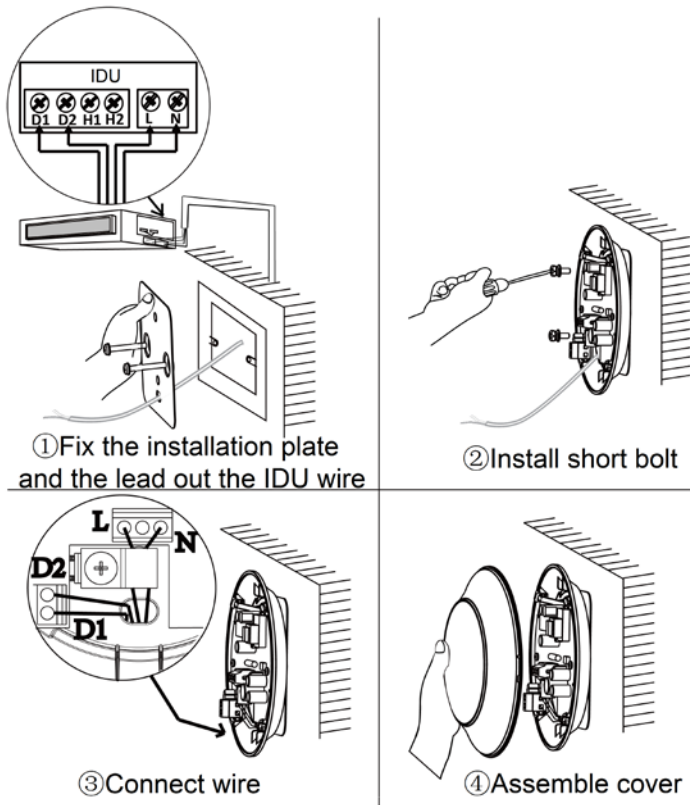


Fig.4

## 5 App Download

(1) Search “GreeSmart” directly in App store and download the App for installation.

**Note:**

For Android system, the user can download “GreeSmart” App in Google Play Store; for iPhone, the user can download “GreeSmart” App in Apple Store.

(2) Scan the following QR code to download GreeSmart App

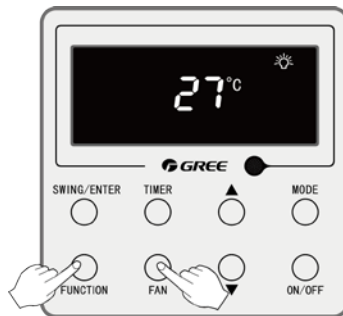


**Note:**

- ① Android system should download Google Play Store firstly. Otherwise, “GreeSmart” App cannot be downloaded.
- ② Supported system version: iOS6.0 system or higher version and Android 4.0 system or higher version.

## Quick Configuration:

- (1) The indicator of G-Cloud will blink once after energization, which indicates that it works normally. In the first operation, G-Cloud is defaulted in configuration status. The indicator will blink after energizing for 8 seconds.



- Otherwise, please hold on pressing “FUNCTION” button and “FAN” button of IDU wired controller simultaneously for 5 seconds (as shown in the right picture). When the wired controller displays “oC”, it means reset is done; or hold on pressing “RESET” button of G-Cloud for 5 seconds and then the indicator of controller will blink, which means reset is done.
- (2) Connect your mobile with indoor WiFi and then activate GreeSmart App. Click **+** at the top right corner of the homepage “Device” and then select “Add device”.
  - (3) WiFi network name will be displayed automatically in the configuration interface as shown in Fig.5. Input WiFi password and then click “Configure” button. Quick configuration is as shown

in Fig. 6.

- (4) When “Configuration is done” is shown in the configuration interface, the indicator will be off and configuration is done.



Fig.5 Configuration Interface

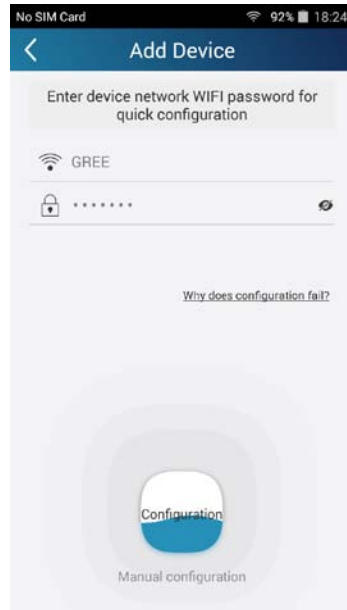


Fig.6 Under Configuration

**Note:**

- ① If you want to replace the router or revise the router name or password, you should arrange configuration again.
- ② If the wired controller cannot reset G-Cloud, please hold on pressing the Reset button of G-Cloud to reset it.



